

V-SERIES SOLUTION
SN-2S-CPIR-W
SN-2S-CPIR-W-S



Multi-Sensor Camera

The Sonitrol Multi-Sensor (SN-2S-CPIR-W) is a cube style, indoor 2MP color camera that goes far beyond IP video. An all-in-one solution, this multi-sensor camera provides built-in features such as WiFi connectivity, PIR detection, 2-way audio capability and digital I/O. In addition to being light-weight with a small footprint, this camera can provide edge-based recording to the optional on-board SD card and be accessed via the entire 3xLOGIC VIGIL software suite.

This camera was designed to allow for simple and easy deployment, and acts as a stand-alone or integrated security surveillance solution. Perfect for applications that require maximum functionality at an affordable price and installation is a breeze with our innovative scan and setup QR code. Edge-based (with optional SD card) recording software eliminates the need for an onsite video server, and wireless central station connectivity allows the simple integration with the onsite Sonitrol intrusion panel.

Edge-based devices are becoming a leading trend in video surveillance. This all-in-one, standalone camera provides a host of benefits including remote accessibility, high image quality, digital zooming, easy integration, scalability, flexibility and affordability. The Multi-Sensor camera allows users to maximize both investment and facility security improvements. No other product on the market can match the combination of built-in features, picture quality, ease of installation, setup QR code, and edge-based recording options.

Key Benefits

- Easy Setup - Scan and Setup QR Code
- Easy Installation - Integrated Mount
- Seamless Integration with Central Stations for Video Verification.
- Interfaces with the Sonitrol Mobile app for viewing of real-time camera images and for arming/disarming as a system or a partition.
- The embedded VIGIL Server Software interfaces with the entire 3xLogic Software Suite.
- Glass Break Analytics and Impact Activated Audio Detection Coming Soon

Key Features and Benefits

Resolution	2MP
Frame Rate	30 fps
Compression	H.264/MJPEG
Lens	4mm Fixed
True Day/Night	Mechanical IR Cut Filter
WDR	Digital
IR Range	Up to 33 Feet (10 Meters)
Network Protocol	WiFi or PoE
On-board Storage	64GB Micro SD (Optional)
Two-Way Audio	✓
Alarm Input/Output	1/1
ONVIF/PSIA Compliant	✓
Warranty	3-Year

TECHNICAL OVERVIEW

CAMERA

Image Sensor:	1/2.8 inch Progressive Scan CMOS
Lens:	4mm @ F2.0
Min. Illumination:	0.028 Lux @ (F2.0) AGC on; 0 Lux w/ IR
IR Range:	Up to 33 Feet (10 Meters)
Angle of View:	85°
Day/Night:	IR cut filter with auto switch
Shutter Times:	1/3 second to 1/100,000 second

COMPRESSION STANDARD

Video Compression:	H.264, MJPEG
Video Bit Rate:	32 Kbps - 12 Mbps
Audio Compression:	G.711/G.722.1/G.726/MP2L2
Audio Bit Rate:	64 Kbps (G.711) / 16 Kbps (G.722.1) / 16 Kbps (G.726) / 32-192 Kbps (MP2L2)

IMAGE

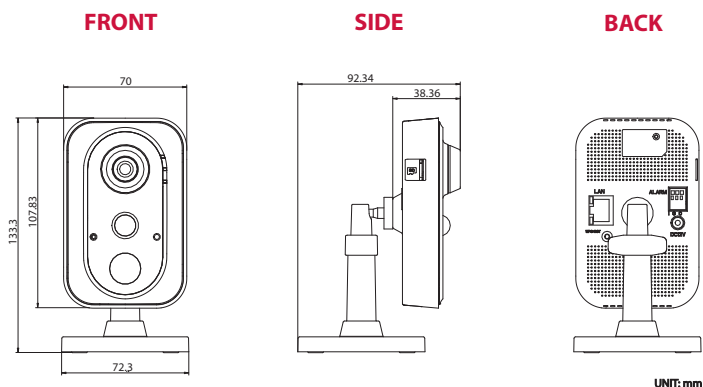
Max. Image Resolution:	1920 x 1080
Frame Rate:	60 Hz: (1920 x 1080, 1280 x 960, 1280 x 720, 30 fps)
Digital Noise Reduction:	3D DNR
Wide Dynamic Range:	Yes; Digital
Image Setting:	Rotate mode, Saturation, Brightness, Contrast, AGC

FUNCTIONS

Alarm Triggers:	Line crossing, Intrusion detection, Motion detection, Dynamic analysis, Tampering alarm, Network disconnect, IP address conflict, Storage exception
Local Storage:	Built-in Micro SD, SDHC, SDXC card slot, up to 64GB
Security:	One-key reset, Flash-prevention, Dual stream, Heartbeat, Password protection, Privacy mask, Watermark, IP address filtering, Anonymous access
Protocols:	TCP/IP, ICMP, HTTP, HTTPS, FTP, DHCP, DNS, DDNS, RTP, RTSP, RTCP, PPPoE, NTP, UPnP, SMTP, SNMP, IGMP, 802.1X, QoS, IPv6, Bonjour
System Compatibility:	ONVIF (Profile S), PSIA, CGI, ISAPI
PIR Range:	Up to 33 Feet (10 Meters); 80° Angle of View

PHYSICAL

Working Temperature:	-30°C - 60°C (-22°F - 140°F); Humidity 95% max
Dimensions (inches):	2.85" x 3.64" x 5.25" (includes mounting bracket)
Dimensions (mm):	72.3 x 92.3 x 133.3 (includes mounting bracket)
Weight:	0.88 lbs. / 400 g
Mount:	Included (M12)



ELECTRICAL

Power Supply:	12V DC ±10%; PoE+ (802.3af)
Power Consumption:	5W Max

INTERFACE

Communication:	1 RJ45 10M/100M Ethernet port
Audio:	1-Channel Microphone and Speaker
Alarm Input:	1-Channel Signal Input
Alarm Output:	1-Channel Signal Relay Output

WI-FI

Wireless Standard:	1EEE802.11b, 802.11g 802.11n
Frequency Range:	2.4 GHz ~ 2.4835 GHz
Channel Bandwidth:	20/40 MHz Support
Protocols:	802.11b: CCK, QPSK, BPSK, 802.11g/n: OFDM
Security:	64/182 bit WEP, WPA/WPA2, WPA-PSK/WPA2-PSK, WPS
Wireless Range:	162 Feet (50 Meters)

WARRANTY

Three (3) Year Return To Depot Parts and Labor Warranty

CERTIFICATIONS

Part 15 of FCC, CE

PART NUMBERS

SN-2S-CPIR-W	2MP Indoor IP Multi-Sensor Camera w/ Wi-Fi, w/ PIR, and Vigil Server Software
SN-2S-CPIR-W-S	2MP Indoor IP Multi-Sensor Camera w/ Wi-Fi, w/ PIR, Vigil Server Software, and 64GB SD Card
SN-64S-SD	Micro SD Card, 64GB

For more information on how Sonitrol can help protect your business, call or visit us online:

1-877-SONITROL
www.sonitrol.com

